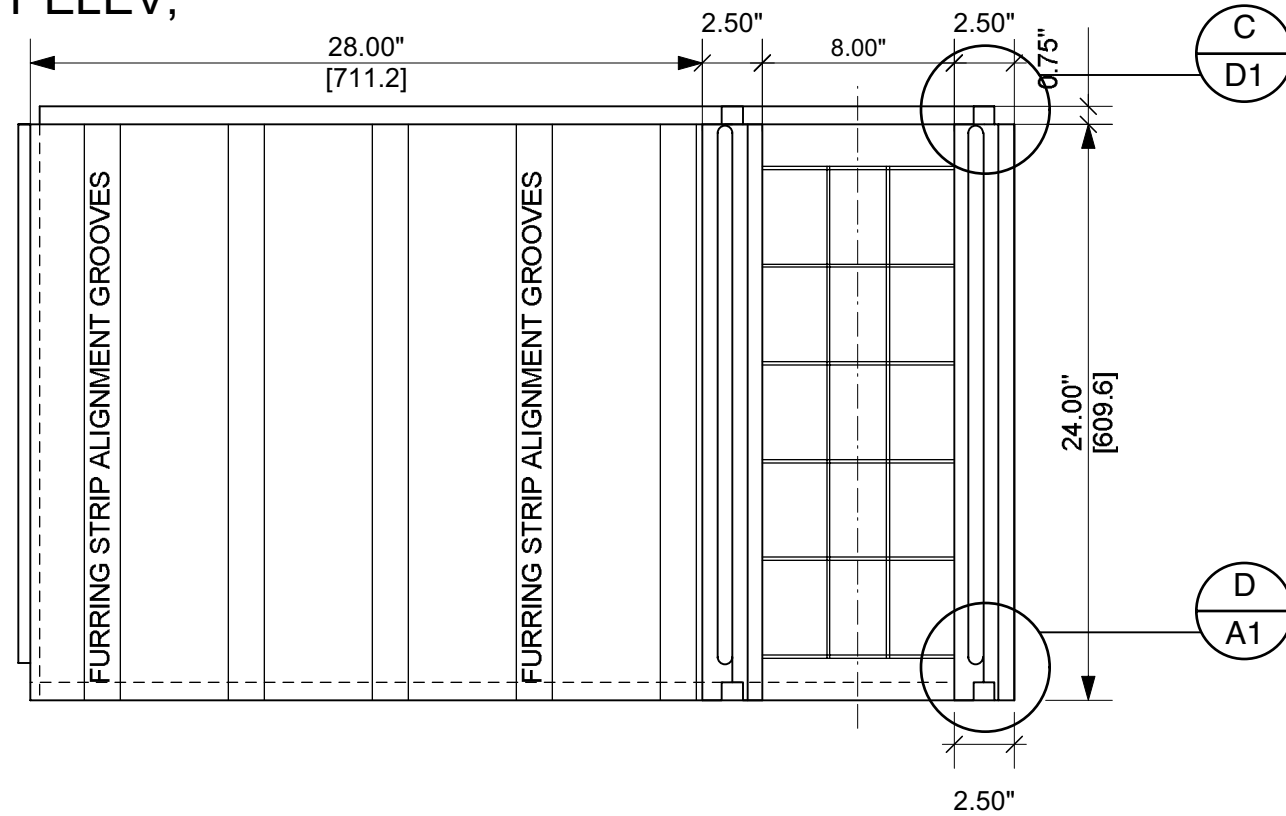
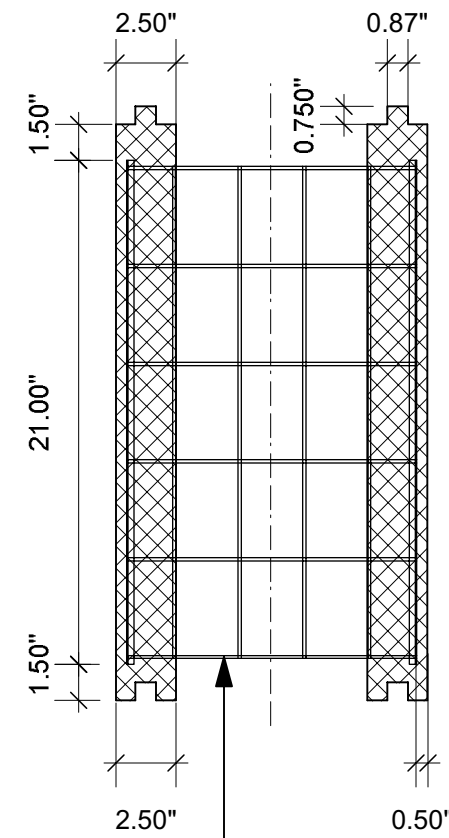


American Polysteel PS 4890-2R Scale 1.5"=12.0"

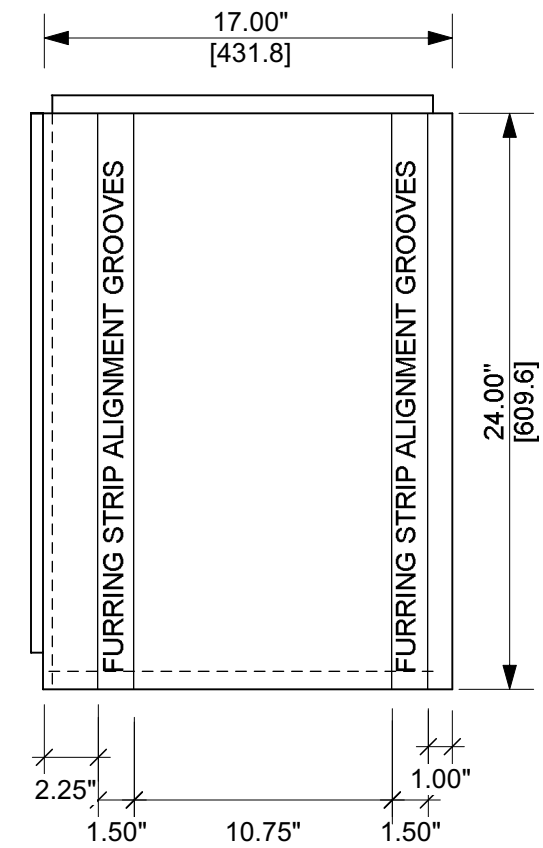
FRONT ELEV,



SECTION A

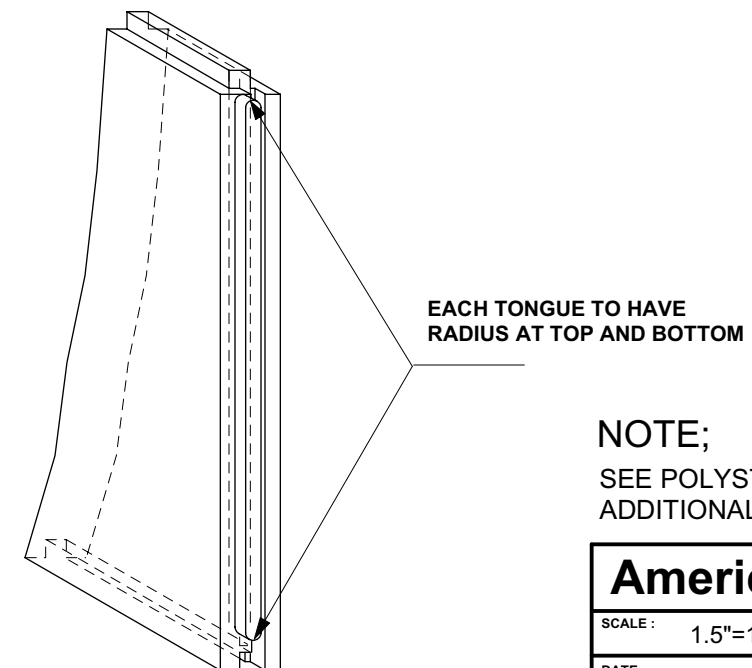


END ELEV,



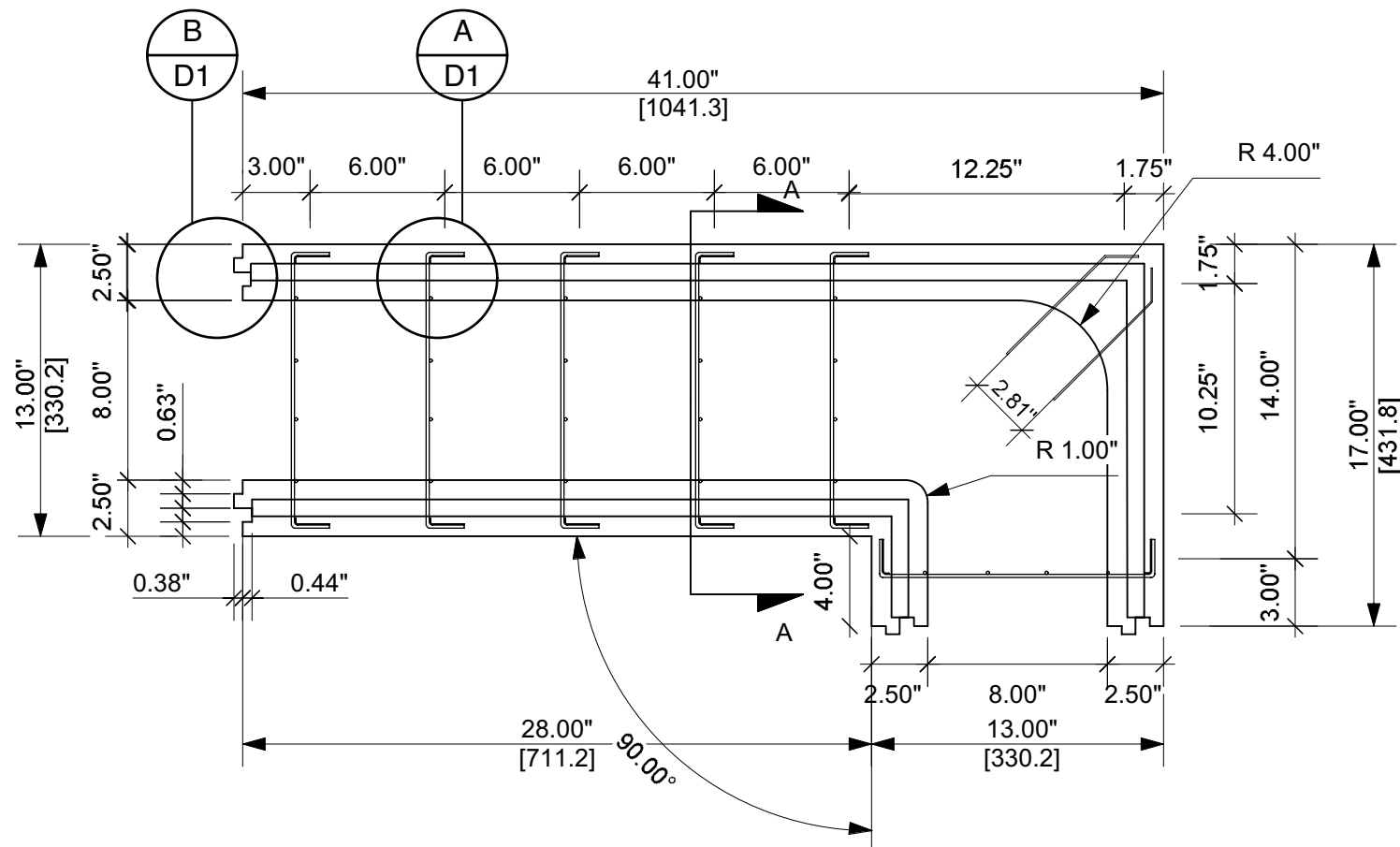
NOTE:
8" (203.2 mm) MINIMUM CAVITY

SKETCH OF END TONGUE & GROVE



NOTE;
SEE POLYSTEEL DETAIL SHEETS (D1-D3) FOR
ADDITIONAL INFORMATION

PLAN - RIGHT-HAND CORNER



American Polysteel PS 4890-2R		
SCALE: 1.5"=12.0"	APPROVED BY:	DRAWN BY: AH
DATE: Mar 2002		REVISED:
Copyright 2002	DRAWING NUMBER:	
American Polysteel 1-800-977-3676	PS 4890-2R	