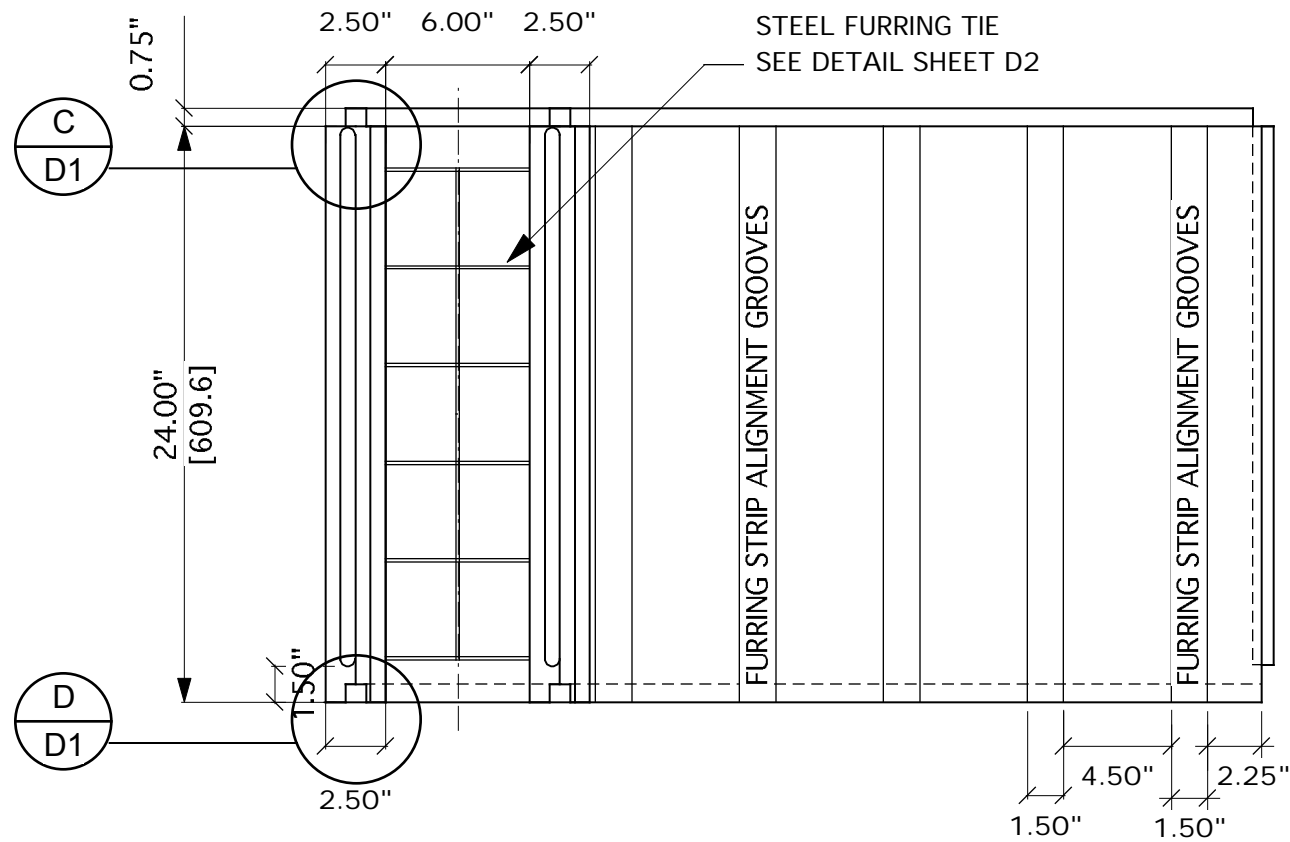
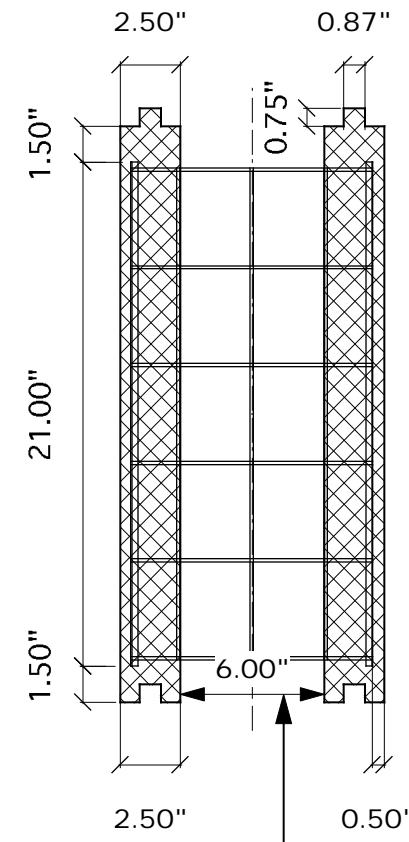


**American Polysteel PS 4690-2L** Scale 1.5"=12.0"

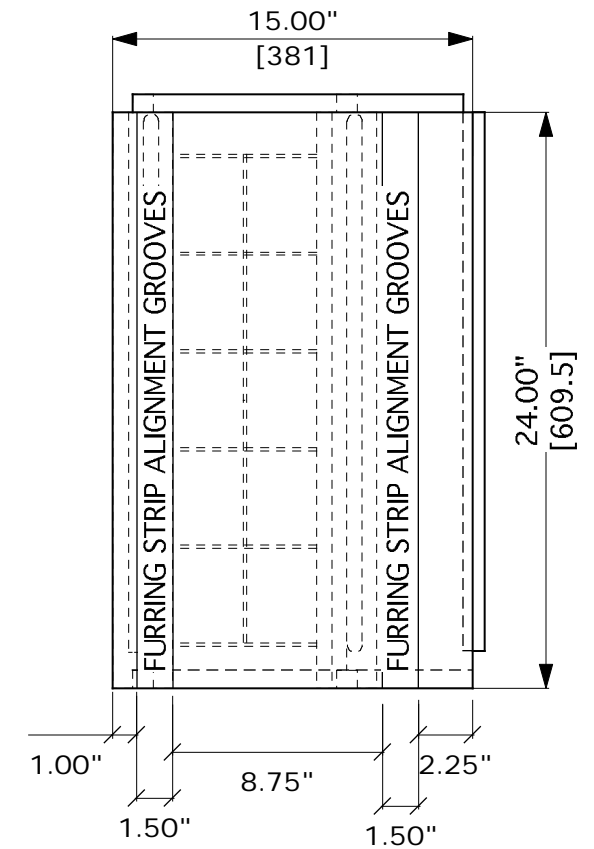
**FRONT ELEV,**



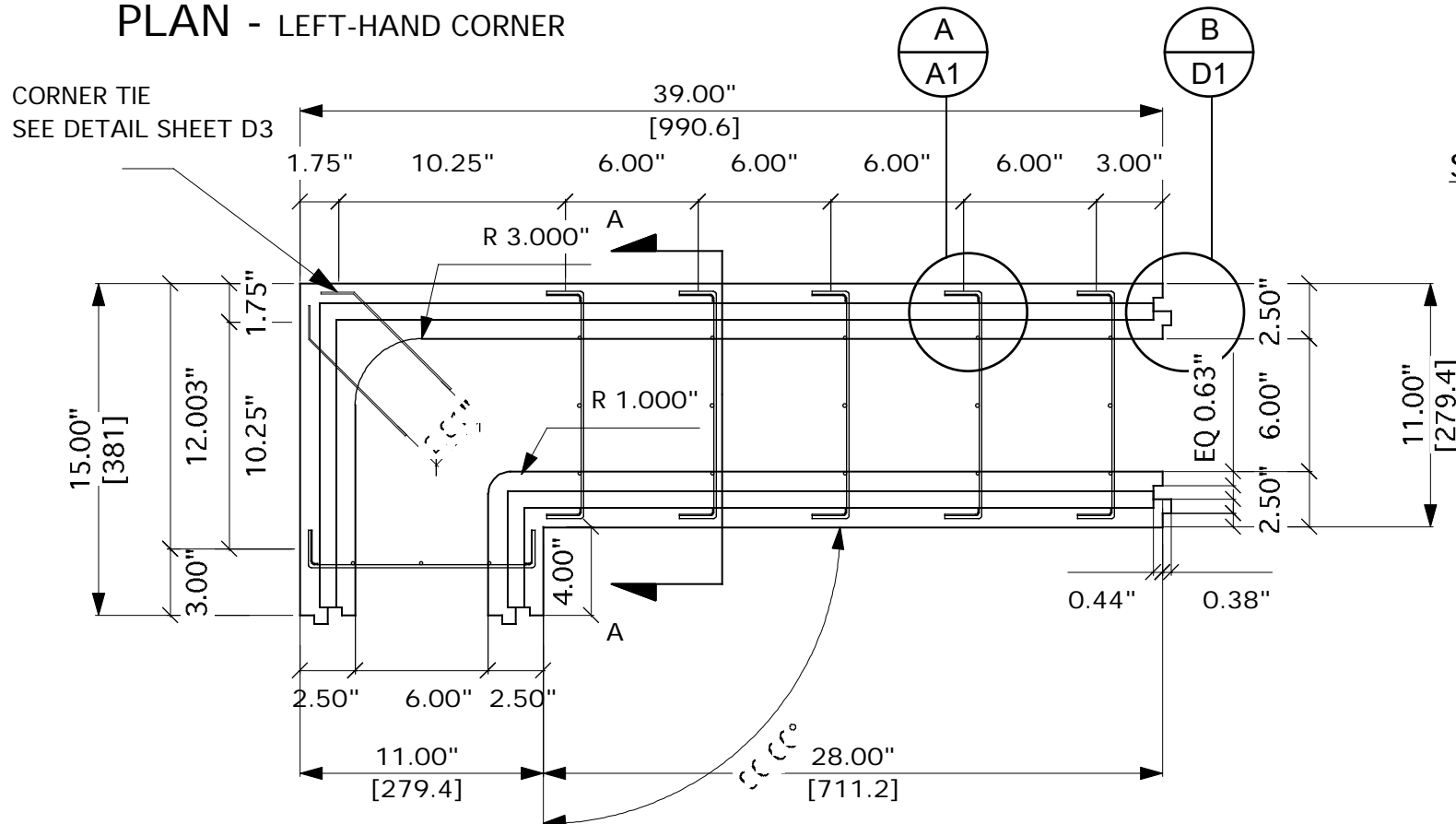
**SECTION A**



**END ELEV,**

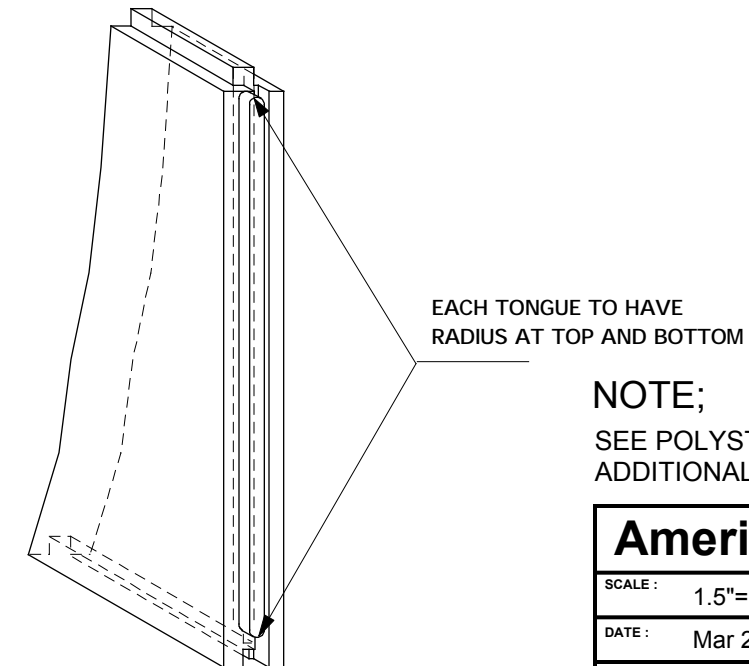


**PLAN - LEFT-HAND CORNER**



**NOTE:**  
6" (152.4 mm) MINIMUM CAVITY

**SKETCH OF END TONGUE & GROVE**



**NOTE;**  
SEE POLYSTEEL DETAIL SHEETS (D1-D3) FOR  
ADDITIONAL INFORMATION

<b>American Polysteel PS 4690-2L</b>		
SCALE: 1.5"=12.0"	APPROVED BY:	DRAWN BY: AMH
DATE: Mar 2002		REVISED:
Copyright 2002	DRAWING NUMBER:	
American Polysteel 1-800-977-3676	<b>PS 4690-2L</b>	